



# RECOIL PAD TEMPLATE GUIDE

## WHY USE TEMPLATES?

Many manufacturers modify their stock dimensions yearly, making it difficult for us to keep one specific model available for one specific manufacturer. In response, we have provided these templates to help you match your gun stock butt.

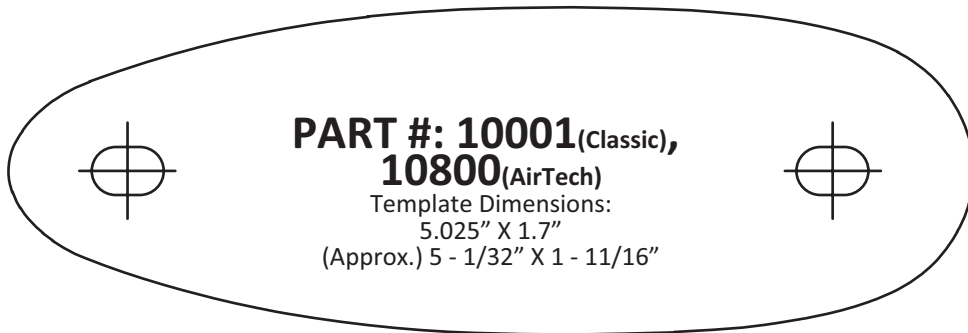
## OTHER OPTIONS

If you have a synthetic stock and a Precision-Fit recoil pad is not possible, you can utilize our Slip-On pad which delivers the same felt recoil reduction as the Precision-Fit pad. (Removal of existing pad is recommended, but not required.) You may also utilize our Grind-to-Fit recoil pad, but this may require a visit to your local gunsmith.

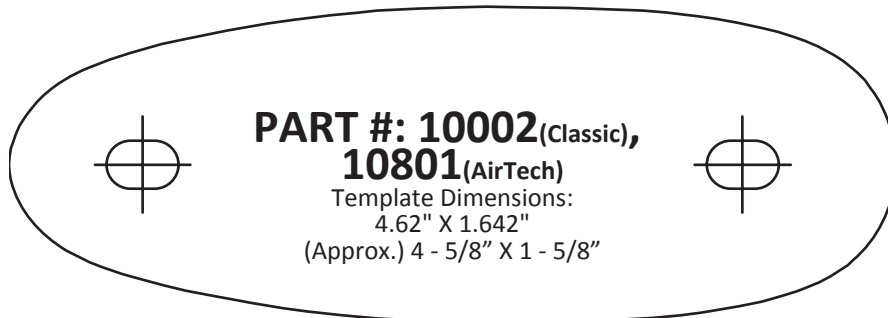
## TEMPLATE INSTRUCTIONS

***\*NOTE: If printing from a PDF, please make sure that the "PRINT ACTUAL SIZE" box is checked (found in Print Settings). This will ensure that your templates will be the correct size.***

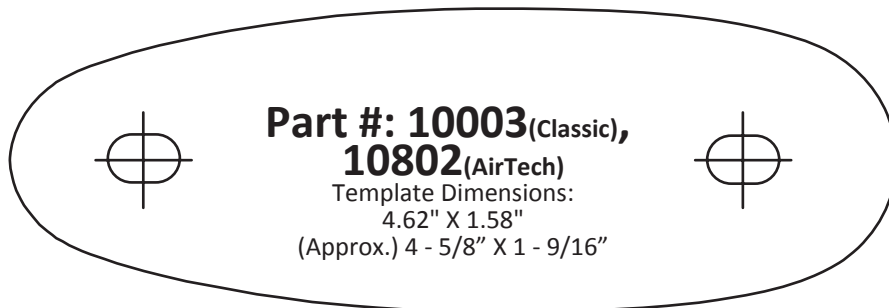
- I. Simply remove the existing recoil pad or plate from your stock butt by unscrewing. If your recoil pad is glued on, it may require gunsmithing.
- II. Place the gun stock on top of each template until you have found a match. Cut template out to determine screw hole location. If the screw holes do not line up, you can slot or elongate the screw holes on the bottom of our plate an additional 3/16" or more towards the heel or the toe and 1/16" towards the center of the pad (use a Dremel® tool with sanding attachment) to match the holes in your stock. This is regardless of wood or synthetic stocks. Please note: This only refers to the template recoil pads that are not already elongated or slotted.
- III. Once a match is found, the product number will be on that specific template so you will know which one to order.



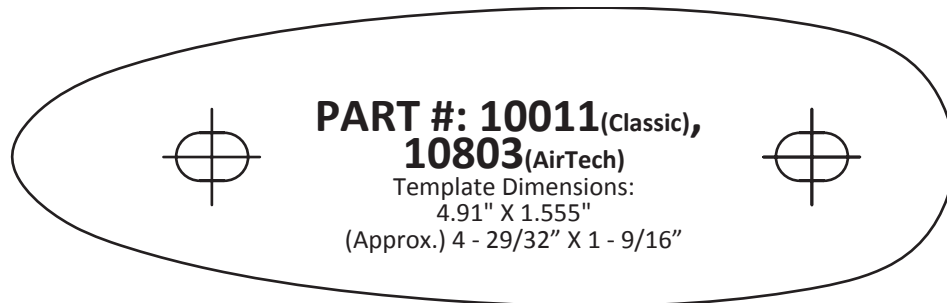
Ruger M77 (wood), #1, Hawkeye (syn.); Browning Gold; Winchester 70 F.W.



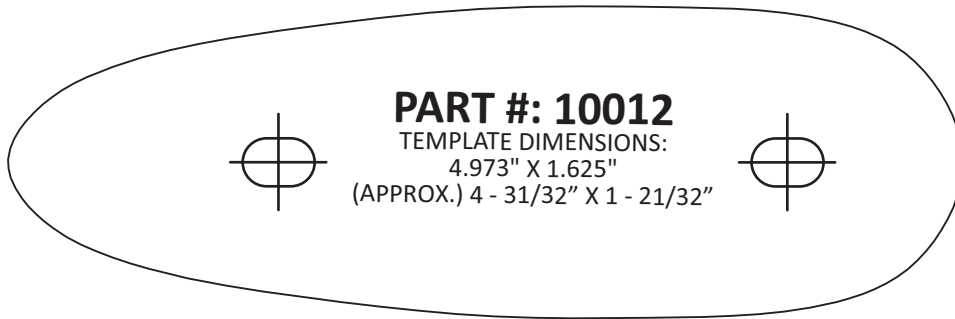
Browning A-Bolt (wood), A-Bolt New Short Mag (syn.), Stalker (syn.);  
Mossberg 500 C Youth (wood).



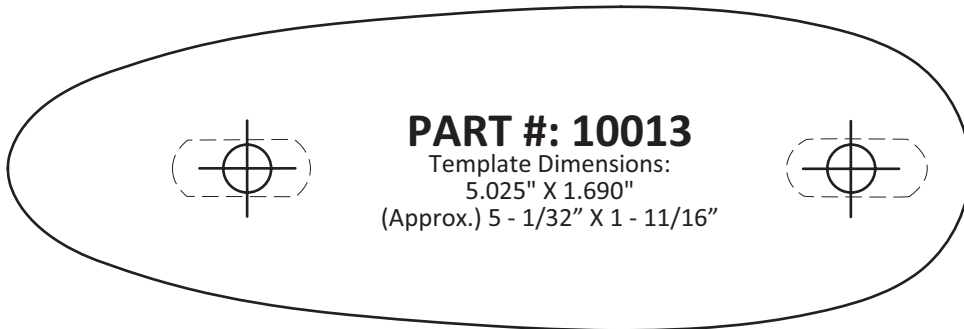
Browning A-Bolt (syn.), BPS Youth/Ladies; H&R SB2-988 Slug Hunter (wood), Mod 70 (wood)



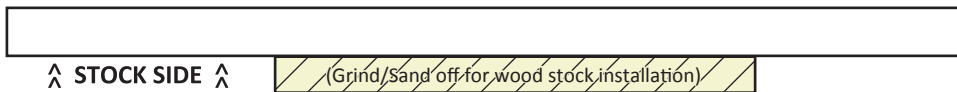
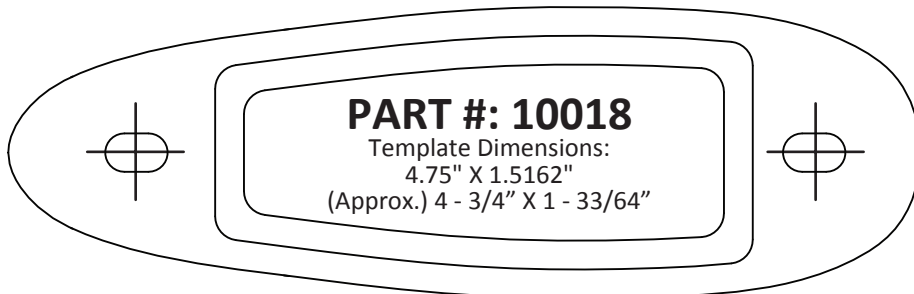
Sako 75+Finlite, Model A-7; Ruger Recess/Skeleton (syn.);  
Tikka t-3 & T3 Lite (wood, lam., syn.), Delux, Hunter  
ADAPTER PIECE REQUIRED FOR RUGER RECESS/SKELETON. PLEASE CALL TO RECEIVE YOUR FREE  
ADAPTER PIECE WHEN YOU BUY THIS PAD.



Blaser R93 Professional Camo & Dark Green (syn.) (5/8" thick)

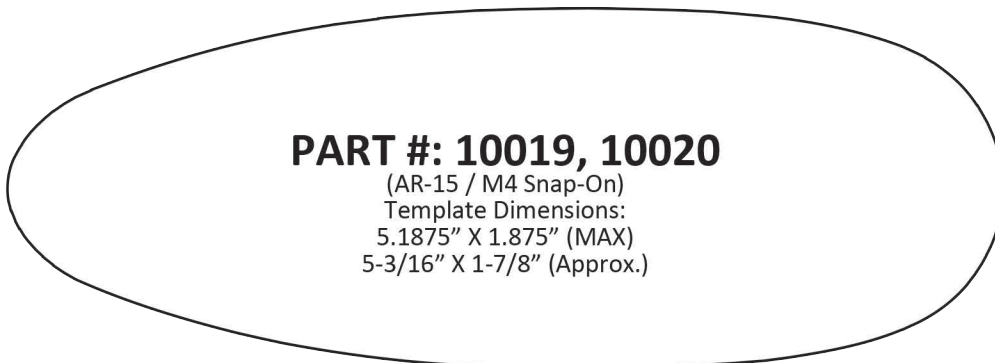


Yildiz SPZ ME Special, SPZ ME/12, A3T Elegant, MX-Clays



H&R Handi-Rifle Adult (syn.), Monte Carlo

**TACTICAL**

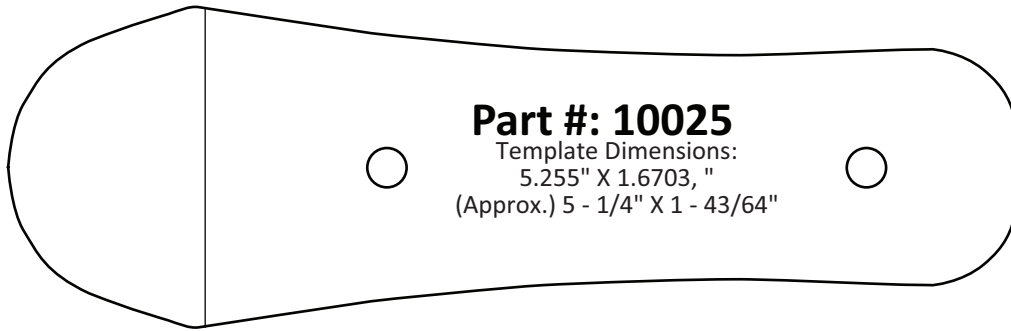


AR-15 Universal 6-Position Tactical (1/4" step-down)

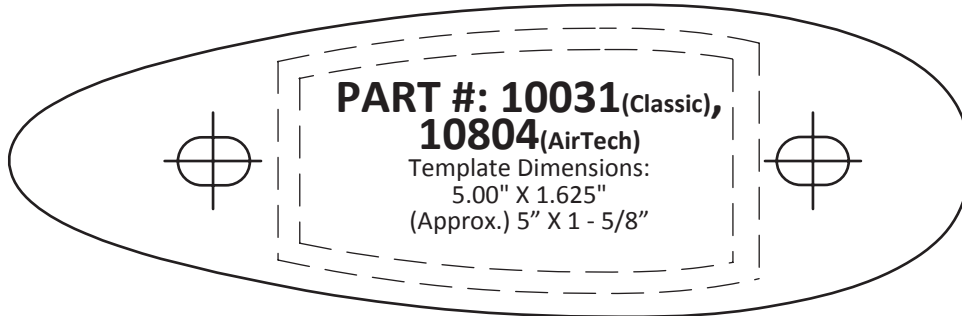
Tapco T6, Colt LE6920, LE6940

**SNAP-ON ONLY - No screw holes**

TACTICAL



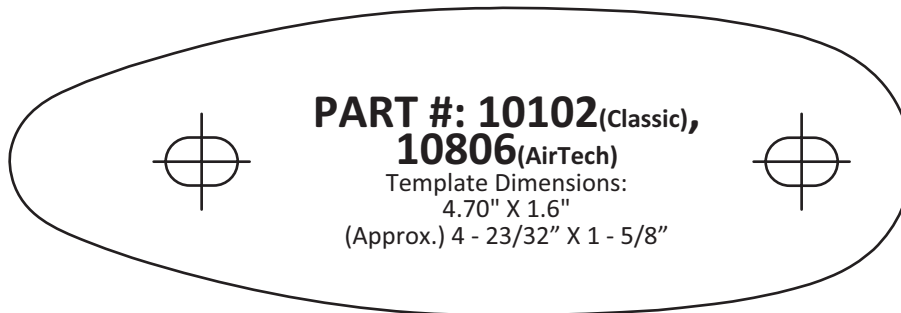
Magpul STR, ACS, ACS-L, UBR, Mil Spec, CTR, MOE (MAG 310 & MAG 400)



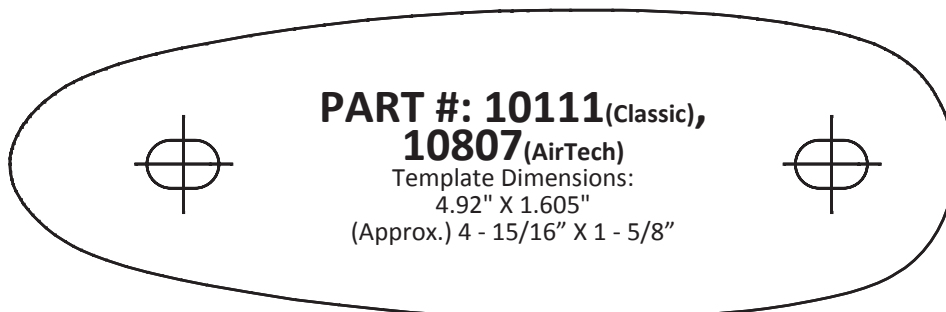
^ STOCK SIDE ^

(Grind/Sand off for wood stock installation)

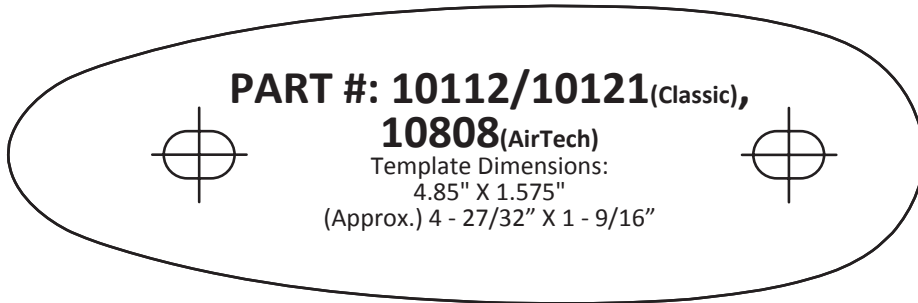
T/C Encore, Black Diamond, Omega ML (wood, syn.);  
Encore Pro Hunter, Triumph (syn.)



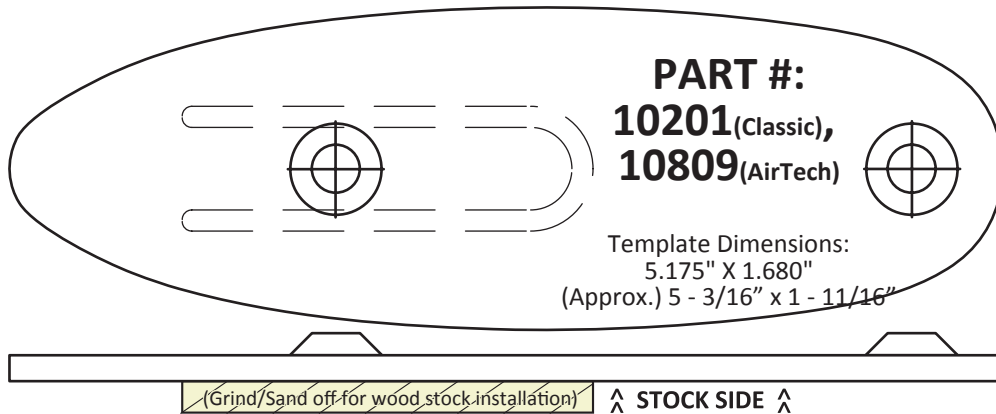
Remington 870 Wingmaster (non-express wd.), Police (wd.), 1187 SP1992 (wd.), 870 Mag SP (syn.);  
Marlin 336, 444, 450, 512; Mossberg 500 AG 12ga. (wd.)



Remington 700 ADL/BDL (4 15/16\" flat wd.), 727; Winchester 70 (syn.);  
Stoeger Upland 12ga. SXS Std. (wd.); Stevens 200 (Syn.)

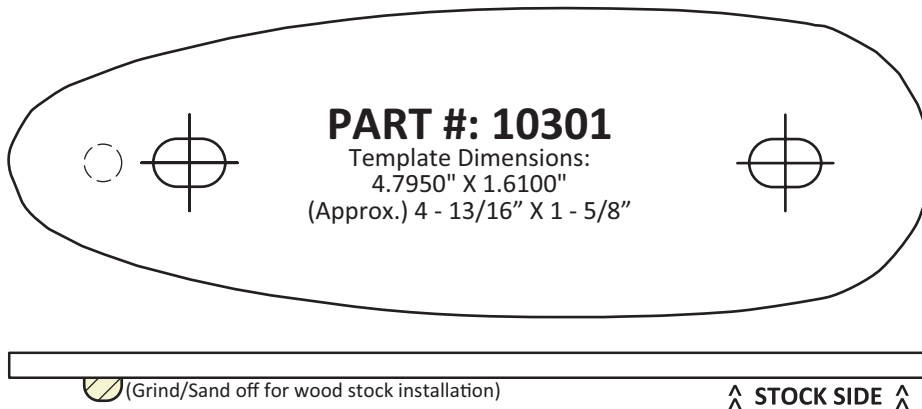


Remington 700 ADL/BDL (4 7/8" flat wood); Winchester Model 12 Heavy Duck 12ga. (wood)  
 Mossberg 835 4-7/8" (Syn.)

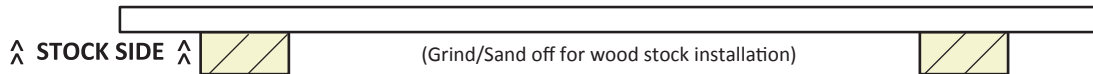
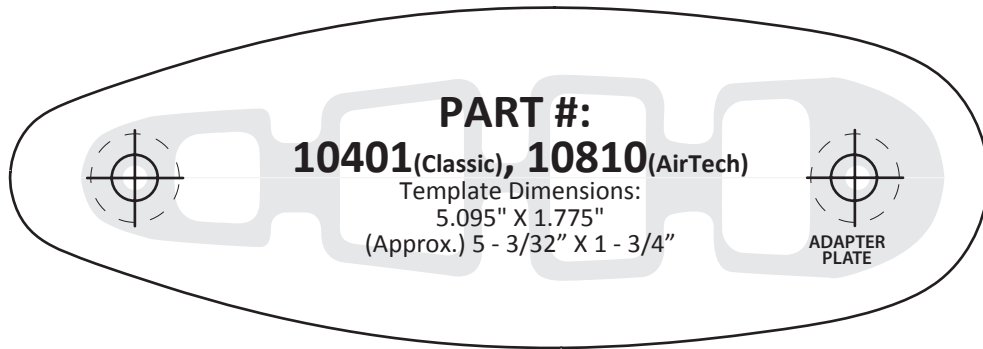


Mossberg- All 5 3/16" (syn.), 500 12ga. 500 A 12ga., 835, 930, 935, Mavrick 88 12ga only,  
 590 A1 SP

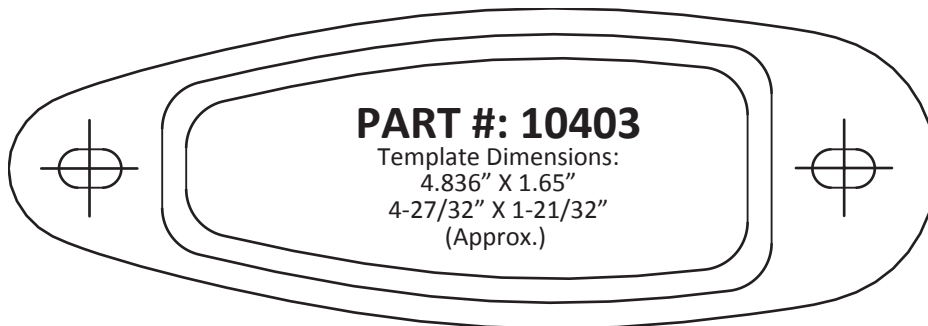
COMES WITH ADAPTER PIECE.



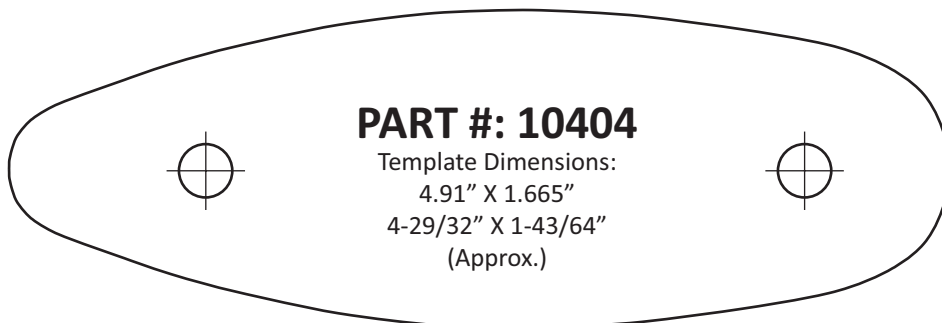
Winchester 1300 (syn.)  
 Browning Gold 10 GA.



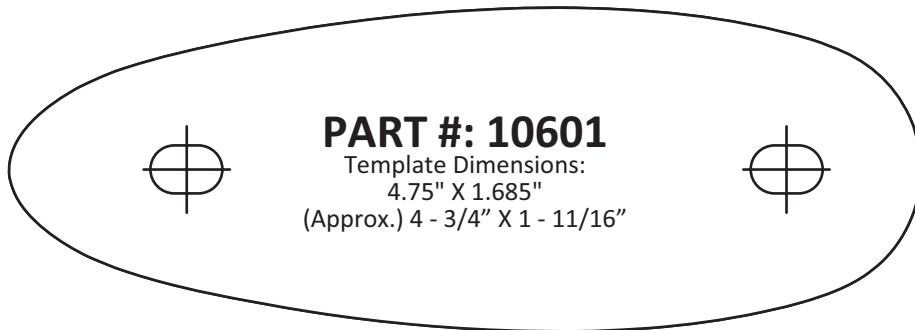
Benelli 12ga. Non-Tactical: SBE 1, SBE 2, Sport 1 & 2, Nova, Cordoba, M1, M2, M2 Field,  
 Cordoba 20ga. (non-tac), Sport 1, Sport 11  
 INCLUDES ADAPTER PIECE.



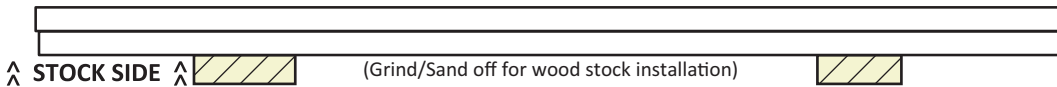
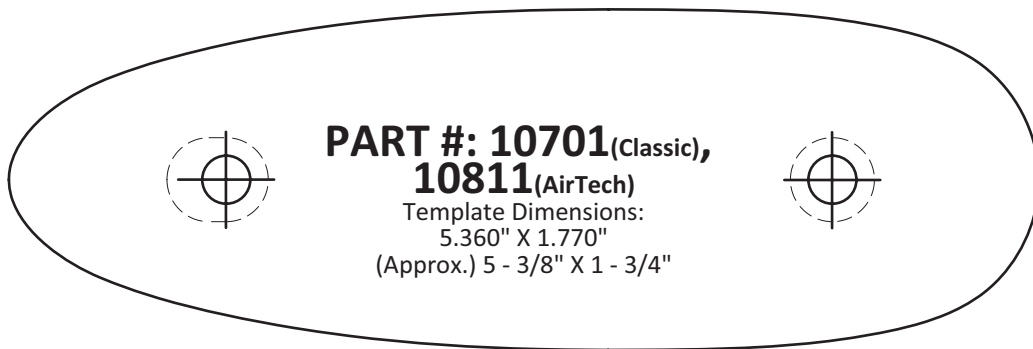
Benelli M1 Tactical, SBE II Stdy. Grip  
 (Bolt-On)



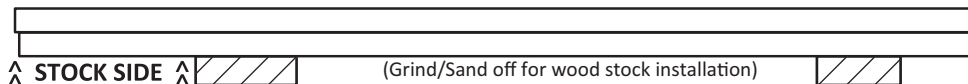
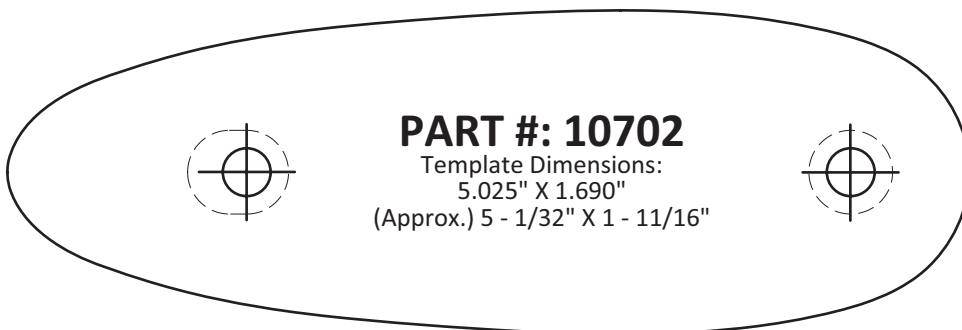
Benelli M2 Tactical, Supernova Tactical, SBE II Stdy. Grip  
 (Snap On)  
 COMES WITH ADAPTER PIECE.



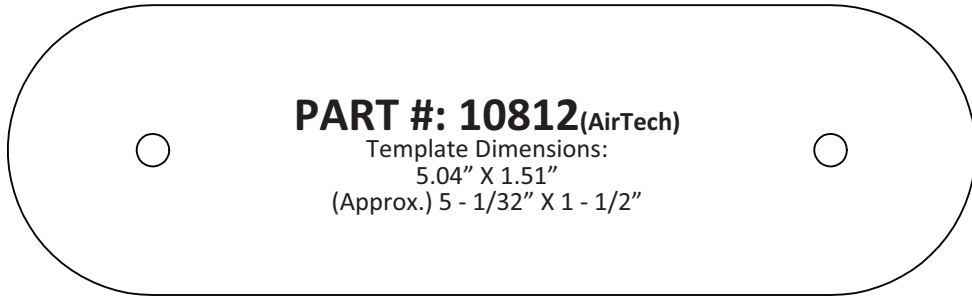
Savage 10/110 (wood); Winchester Model 70 Super Shadow (syn.);  
 Remington Titanium (syn.), 700 LVSF (syn.)



Beretta- All 5 3/8" (wood & synthetic)



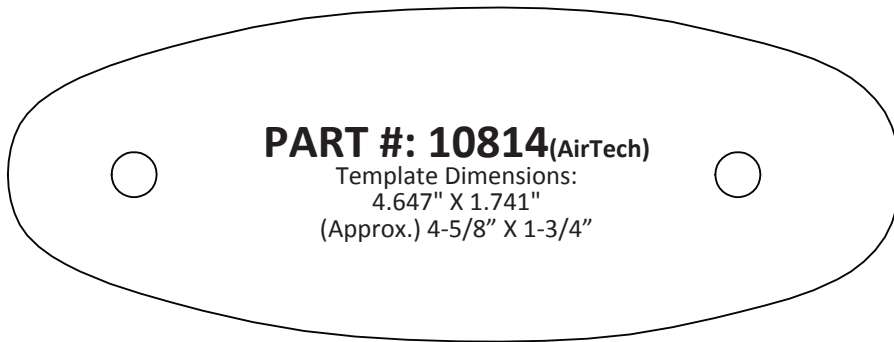
Beretta- All 5" (wood & synthetic.)



**PART #: 10812**(AirTech)

Template Dimensions:  
5.04" X 1.51"  
(Approx.) 5 - 1/32" X 1 - 1/2"

Choate



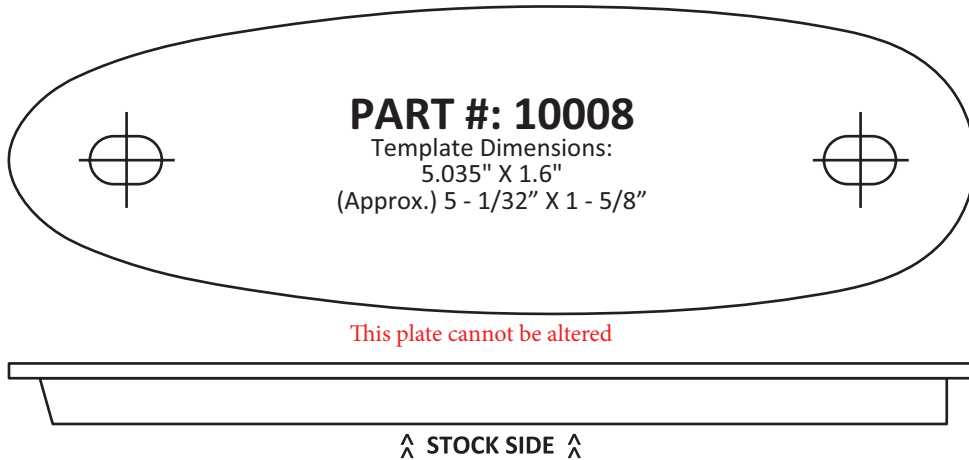
**PART #: 10814**(AirTech)

Template Dimensions:  
4.647" X 1.741"  
(Approx.) 4-5/8" X 1-3/4"

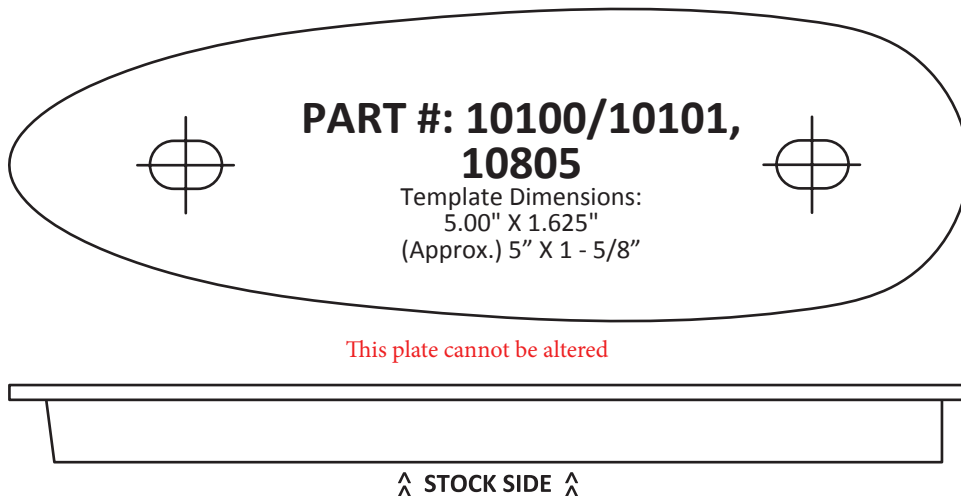
Browning X-Bolt, ABD



The following two templates on this page were designed to fit a specific make of synthetic stock. To accomplish as accurate a fit as possible, many of the synthetic recoil pad plates have profiles that snap inside the cavities of the stock. While most plates can be modified to fit a wood stock by grinding off any protruding plastic on the plate, the following two plates CANNOT be altered.



Browning Gold 12/20; Stoeger M2000 (non-pistol grip & P-350 pump (syn.), Silver 12 GA. (Syn.)

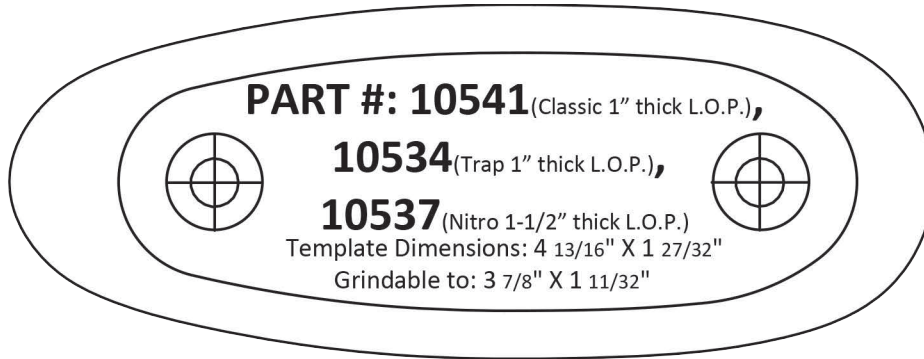


Remington 700 ADL/BDL, ML, 710, 770, 7600, 870, (12, 16), 1100 (12, 16), 11-87 (syn.), SP-10;  
Marlin XS7 (syn.)

# LIMBSAVER GRIND-TO-FIT RECOIL PAD TEMPLATES

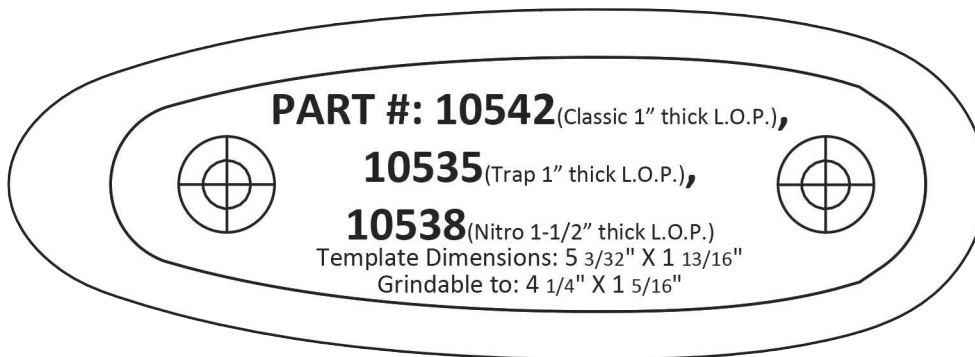
The following Grind-to-Fit Recoil Pads are shown with two profile lines. The outer line is the actual size of the pad. The inner line is the "Max" Grind line. In order for our technology to function properly, the interior air chamber must remain intact with enough wall thickness to contain the pressure during the firing of the weapon. By not grinding past this line, you ensure your pad will be in perfect working order. To determine which Grind-to-Fit Recoil Pad is right for you, remove your existing pad, and place your flat stock on the templates. Choose the pad that shows the full outer line of the template, and none of the interior line. For further instructions, see inside of our packaging, or go to [www.LimbSaver.com](http://www.LimbSaver.com).

## SMALL GRIND-TO-FIT

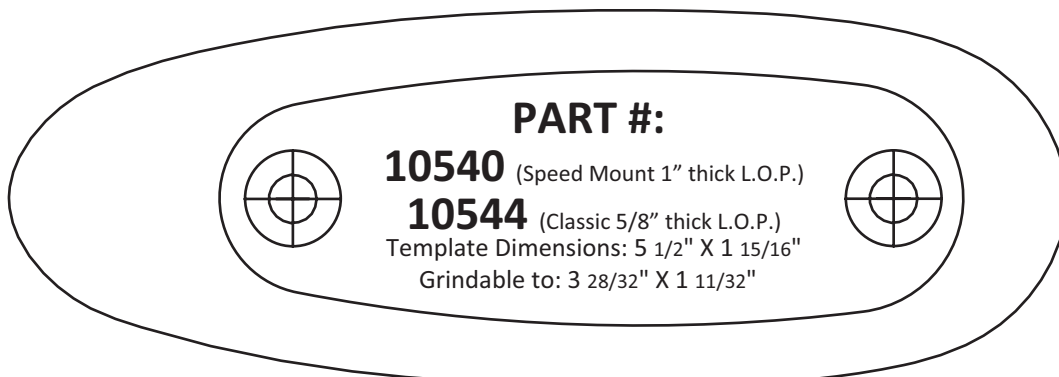


10541 is a Classic LimbSaver pad with 1" LOP  
10534 is a Trap LimbSaver pad with 1" LOP  
10537 is a Nitro LimbSaver pad with 1-1/2" LOP

## MEDIUM GRIND-TO-FIT

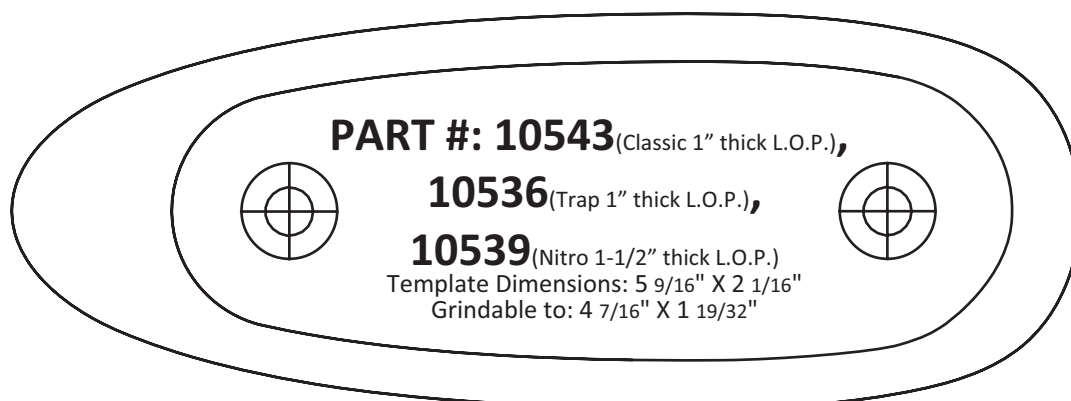


10542 is a Classic LimbSaver pad with 1" LOP  
10535 is a Trap LimbSaver pad with 1" LOP  
10538 is a Nitro LimbSaver pad with 1-1/2" LOP



10540 is a Speed Mount LimbSaver pad with 1" LOP  
10544 is a Classic LimbSaver pad with 5/8" LOP

## LARGE GRIND-TO-FIT



10543 is a Classic LimbSaver pad with 1" LOP  
 10536 is a Trap LimbSaver pad with 1" LOP  
 10539 is a Nitro LimbSaver pad with 1-1/2" LOP

## LIMBSAVER SLIP-ON RECOIL PAD SIZING GUIDE

10545 Classic Sm/Md	1/2" LOP	4-5/8" X 1-9/16" up to 5-1/8" X 1-3/4"
10546 Classic Small	1" LOP	4-1/2" X 1-1/2" up to 4-13/16" X 1-5/8"
10547 Classic Medium	1" LOP	4-13/16" X 1-5/8" up to 5-1/8" X 1-3/4"
10548 Classic Large	1" LOP	5-1/8" X 1-3/4" up to 5-3/8" X 1-7/8"
10549 AirTech Sm/Md	1/2" LOP	4-5/8" X 1-9/16" up to 5-1/8" X 1-3/4"
10550 AirTech Small	1" LOP	4-1/2" X 1-1/2" up to 4-13/16" X 1-5/8"
10551 AirTech Medium	1" LOP	4-13/16" X 1-5/8" up to 5-1/8" X 1-3/4"
10552 AirTech Large	1" LOP	5-1/8" X 1-3/4" up to 5-3/8" X 1-7/8"

Make	Model	Type	Classic Product Number	AirTech Product Number
AR-15/M4/M16	AR-15/AR-10/M4/M16 must have ¼" step down for pad to snap on Magpul PRS (Gen II)-Tapco-Mossberg 715T-Mossberg 500 tac	Synthetic Synthetic	10019/20	
ATI	ATI 2210-Colt LE6920-Colt LE6940-450 Bushmaster	Synthetic	10019/20	
Choate	Beretta 1201MK5 Mossberg 500,590,835,935,88 Remington 870 MKS Winchester 1200,1300,1400	Synthetic Synthetic Synthetic Synthetic		10812 10812 10812 10812
Baikal	Some models (check templates) Stocks are not Some models (check template) Standardized Some models (check template) For Baikal	Wood Wood Wood	10401 10601 10102	10810  10806
Benelli	Super Black Eagle 12 gauge non-tactical R1 Big Game Rifle Sport 12 gauge, Sport II M-1 Field 12 gauge non-tactical (most models) M-1 TACTICAL 12 Ga. (re-drill holes in LimbSaver pad) Montifeltro 12 gauge - Sport II-bolt on Cordoba, Nova, SBE II, M2 and Super Sport pop-in pad 12 gauge Super Sport, MII and Cordoba 20ga Pistol Grip Stocks, SBE, Nova, Super Sport, MII Pop-In pad Pistol Grip Stocks, SBE, Nova, Super Sport, M1 Bolt-On pad Benelli Ultra Light (heel pad re-drill) use spacer to smooth	Wood/Synth Synthetic Synthetic Wood/Synth Synthetic Wood Synthetic Synthetic Synthetic Wood	10401 10401 10401 10401 10112 10401 10401 10401 10404 10403 10030	10810 10810 10810 10810 10808 10810 10810 10810  10810
Beretta	All 5" stocks only Extrema2 with Kick Off stock All 5 3/8" stocks only	Wood/Synth Wood/Synth Wood/Synth	10702 10702 10701	10811
Blackhawk	SpecOps NRS, Axiom UL and Axiom TH	Synth	10701	
Blaser	Blaser R93 Professional Camo and Dark Green stocks Blaser R93 Professional Black stock-Bolt on only	Synthetic Synthetic	10012 10012	
Browning	A-Bolt Medallion yr 93 (possible re-drill) BLR Model 81	Wood Wood	10601 10601	
Browning	Bar Auto (most models, please check templates) Citori (some models, check templates) Fusion (most models) Gold Auto (some models, check templates) Gold 12 * 20 Gauge only. Silver Hunter 12ga Gold 10ga. (Use Black Accessory spacer to smooth) A-Bolt A-Bolt New Short Mag Stalker composite (most models, check templates) A-Bolt BPS Youth and Ladies BPS 10ga. Citori English Stock yr 81 (shave off protrusion on pad) X-Bolt AB3	Wood Wood Wood Wood Synthetic Synthetic Synthetic Wood/Micro Synthetic Synthetic Synthetic Wood Synthetic Synthetic Wood Wood/synth wood/synth	10001 10001 10001 10001 10008 10008 10301 10002 10002 10002 10003 10301 10201	10800 10800 10800 10800  10801 10801 10801 10802 10802  10809 10814 10814
CVA	Wolf ML yr 96 and Eclipse Hunter ML (most models)	Synthetic	10111	10807
CZ	O/U Ultra Lite	Wood	10702	
Franchi	Verimax 912 12 gauge Auto composite 12 gauge Alcoine 12 ga & model 48 (Check Templates) O/U Alcoine 12 ga. (some models)	Synthetic Synthetic Wood Wood	10401 10401 10001 10401	10810 10810 10800 10810
FNH	SLP Mach 1 12ga (requires screw hole modification on L/S plate)	Synthetic	10601	
Hunter/Richards	SB2-988 Slug Hunter Ultra Slug Hunter (most models, pad screw hole modification) Handi-Rifle, Adult synthetic- Straight and Monte Carlo stock	Wood/Lam Wood Synthetic	10003 10601 10018	10802
Ithica	Model 37 1970's & Older (Please Check Template) Storm (most models) Turkey Storm (Some models)	Wood Wood Synthetic	10112 10102 10102	10808 10806 10806

Make	Model	Type	Classic Product Number	AirTech Product Number
Knight	TK 2000 12ga (Elongate holes on L/S plate) 50cal. Disc Inline ML	Synthetic	10002	10801
		Synthetic	10002	10801
Magpul	STR-ACS-ACS-L-UBR-Mil-Spec-CTR-MOE(mag310 & mag400)	Synthetic	10025	
Marlin	Models 444, 450, 336 & 512 (most models) Model 308MX (Most models, slight adjustment on screw holes) Model XS7	Wood	10102	10806
		Wood	10002	10801
		Synthetic	10101	10805
Mossberg	Model 500 C Youth Model 500 AG Turkey 12 gauge Mossberg 500 12ga with Wood Stock (Model: 54264) screw hole modify Model 9200 & 9300 (check templates, most models) All 5 3/16 stocks (500 12 ga., 500A 12 ga., 835, 535) 930(excluding SPX) and 935 NON-Pistol Grip Maverick 88 12ga only + 590A1 Special Purpose 12ga 6-shot 930 (Excluding SPX) 935 Non Pistol Grip All 4 7/8" stocks (Models 835 and 590A1 by Speed Feed) ATI pistol grip non-tactical (possible screw hole modification)	Wood	10002	10801
		Wood	10102	10806
		Wood	10601	
		Wood	10102	10806
		Synthetic	10201	10809
		Synthetic	10201	10809
		Synthetic	10201	10809
		Synthetic	10200	
		Synthetic	10121	
		Synthetic	10003	10802
Parker Hale	7 mm mag (some models, check templates) 7 mm mag (some models, check templates)	Wood	10003	10802
		Wood	10112	10808
Remington	700 ADL/BDL//ML, 710, 770, 7600, 1100 12/16g, VTR Centerfire 870, 870 Express Straight Stock Tactical, 11-87, SP-10 Model 870 Wing Master (non-Express) Model 870 police 870 Magnum Special Purpose Model 1187 SP 1992 yr Model 700 ADL/BDL 4 15/16" flat stock (check templates) Model 721 most models (check templates) Model 700 ADL/BDL 4 7/8" flat stock (check templates) Model 700 ADL/BDL 5" & over Model 7 (most models) and 700 CDL Large 4 7/8" Model 870 Youth (non-Express) Older Titanium and some 700 LVSF (Bell & Carlson) VTR Centerfire (always check templates as tools change)	Synthetic	10101	10805
		Synthetic	10101	10805
		Wood	10102	10806
		Wood	10102	10806
		Synthetic	10102	10806
		Wood	10102	10806
		Wood	10111	10807
		Wood	10111	10807
		Wood	10112	10808
		Wood	10543	
		Wood	10112	10808
		Wood	10003	10802
		Synthetic	10601	
		Synthetic	10101	10805
Ruger	M77 Mark II Compact (most models) M77 (most models) M77 Standard Stocks	Laminate	10112	10808
		Wood	10001	10800
		Synthetic	10001	10800
Ruger	Hawkeye 5 1/32" x 1 11/16" No. 1 (some models, check templates) Red Label yr 79/80 KRLEZ 1236 (shave off protrusion on pad) K77/22 All Weather recessed stock	Synthetic	10001	10800
		Wood	10001	10800
		Wood	10001	10800
		Wood	10702	
Sako	75 (all) + Finlight Model A7	Synthetic	10011	10803
		Synthetic	10011	10803
Savage	Most (other possible match on older Savage is 10011 & 10030) Most models	Synthetic	10111	10807
		Wood	10601	
Stevens	Stevens Model 200 – Most models	Synthetic	10111	10807
Stoeger	Most 12 gauge models M2000 (No Pistol Grip) & P-350 Pump Older 2000 (will need to sand down screw hole protrusions) Some models, check templates Condor (most models, check templates) Uplander 12 ga SXS Standard (Check templates)	Synthetic	10401	10810
		Synthetic	10008	
		Synthetic	10008	
		Wood	10701	10811
		Wood	10601	
		Wood	10111	10807
Tapco	T6 Model. Must have at least ¼ step down for pad to snap on	Synthetic	10019	
Thompson Center	Encore Pro Hunter, Triumph, Venture Omega Muzzleloader (some models) Omega Muzzleloader (some models) Black Diamond Encore (check templates on newer models) Omega Muzzleloader (most models) Thunder Hawk 50cal.	Synthetic	10031	10804
		Wood	10031	10804
		Laminate	10601	
		Synth/Wood	10031	10804
		Synth/Wood	10031	10804
		Synthetic	10031	10804
		Wood	10102	10806



Make	Model	Type	Classic Product Number	AirTech Product Number
Tikka	T3 Lite Most models (also check template #10112)	Synthetic	10011	10803
	T3 Some models, please check templates	Laminate	10011	10803
	T3 Deluxe and Hunter (most models)	Wood	10011	10803
	T3 Battue Lite Rifle 30.06 , 9.3x62	Synthetic	10011	10803
Verona	20 ga. (some models, please check templates)	Wood	10111	10807
Weatherby	Vanguard (some models, please check templates)	Wood	10102	10806
	Black Stock (5 1/32" x 1 11/16" only)	Synthetic	10001	10800
Winchester	Supreme Select Sporting O/U (most models)	Wood	10001	10800
	1400 (most models)	Wood	10001	10800
	670 (most models)	Wood	10001	10800
	Model 70 Featherweight (most models)	Wood	10001	10800
	Model 70 (most models)	Wood	10003	10802
	Model 94 (most models, flat stocks only)	Wood	10003	10802
	70 Carbine 30.06 (Most models)	Wood	10003	10802
	100 (most models)	Wood	10102	10806
	Super X 1 (most models)	Wood	10111	10807
	Model 70 (possible re-drill on some models)	Synthetic	10111	10807
	Model 88, (some models, check templates)	Wood	10112	10808
	Model 12 Heavy Duck 12ga.	Wood	10112	10808
	Coyote (shave off protrusion on bottom of pad)	Laminate	10201	10809
Model 1300	Synthetic	10301		
Model 70 Super Shadow – 4 3/4"	Synthetic	10601		

Grind-to-Fit Recoil Pads	LOP	Measurements			
LARGE TRAP/SKEET	1" LOP	5-9/16" x 2-1/16"	GRINDABLE TO	4-7/16" x 1-19/32"	10536
LARGE STANDARD	1" LOP	5-9/16" x 2-1/16"	GRINDABLE TO	4-7/16" x 1-19/32"	10543
LARGE NITRO	1-1/2" LOP	5-9/16" x 2-1/16"	GRINDABLE TO	4-7/16" x 1-19/32"	10539
MEDIUM TRAP/SKEET	1" LOP	5-3/32" x 1-13/16"	GRINDABLE TO	4-7/16" x 1-5/16"	10535
MEDIUM STANDARD	1" LOP	5-3/32" x 1-13/16"	GRINDABLE TO	4-7/16" x 1-5/16"	10542
MEDIUM NITRO	1-1/2" LOP	5-3/32" x 1-13/16"	GRINDABLE TO	4-7/16" x 1-5/16"	10538
SMALL NITRO	1-1/2" LOP	4-13/16" x 1-27/32"	GRINDABLE TO	3-7/8" x 1-11/32"	10537
SMALL STANDARD	1" LOP	4-13/16" x 1-27/32"	GRINDABLE TO	3-7/8" x 1-11/32"	10541
SMALL TRAP/SKEET	1" LOP	4-13/16" x 1-27/32"	GRINDABLE TO	3-7/8" x 1-11/32"	10534
SPEED-MOUNT	1" LOP	5-1/5" x 1-15/16"	GRINDABLE TO	3-28/32" x 1-11/32"	10540
SPEED-MOUNT	5/8" LOP	5-1/5" x 1-15/16"	GRINDABLE TO	3-28/32" x 1-11/32"	10544



Slip-on Recoil Pads	LOP	Measurements			Classic Product Number	AirTech Product Number
MEDIUM/SMALL	1/2" LOP	4-5/8" x 1-9/16"	UP TO	5-1/8" x 1-3/4"	10545	10549
SMALL	1" LOP	4-1/2" x 1-1/2"	UP TO	4-13/16" x 1-5/8"	10546	10550
MEDIUM	1" LOP	4-13/16" x 1-5/8"	UP TO	5-1/8" x 1-3/4"	10547	10551
LARGE	1" LOP	5-1/8" x 1-3/4"	UP TO	5-3/8" x 1-7/8"	10548	10552